



H3BF 315A-1100A

Class of operation: aR

保护特性: aR

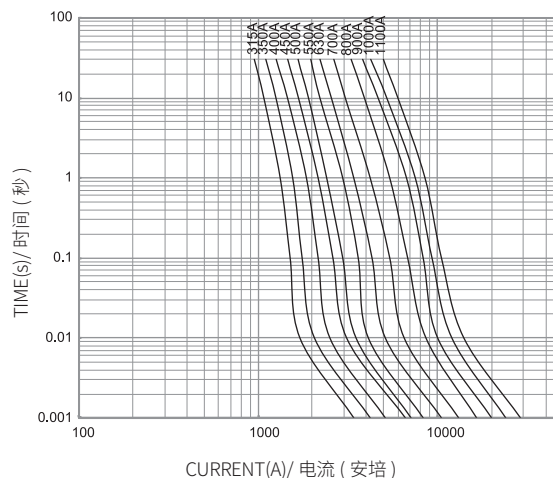


Standard/ 标准: IEC 60269-4, GB/T 13539.4, UL 248-13

INTERRUPTING CAPACITY/ 分断能力:

100,000 amperes at 1250V AC
50,000 amperes at 1000V DC

H3BF 平均 I-T 曲线图 (仅供参考)
AVERAGE I-T CHARACTERISTICS CURVE
(FOR REFERENCE ONLY)



TECHNICAL PARAMETERS/ 技术参数:

PART NO. 目录编号			额定电流	额定电压	SAFETY APPROVALS 安全认证		
Type-A Type center Indicator for micro	Type-B Type top Indicator for micro	Type-C Visual Indicator	Rated Current	Rated Voltage	CCC	TUV	CE
H3BF315	H3BF315B	H3BF315C	315A	1250V AC 1000V DC	●	●	●
H3BF350	H3BF350B	H3BF350C	350A		●	●	●
H3BF400	H3BF400B	H3BF400C	400A		●	●	●
H3BF450	H3BF450B	H3BF450C	450A		●	●	●
H3BF500	H3BF500B	H3BF500C	500A		●	●	●
H3BF550	H3BF550B	H3BF550C	550A		●	●	●
H3BF630	H3BF630B	H3BF630C	630A		●	●	●
H3BF700	H3BF700B	H3BF700C	700A		●	●	●
H3BF800	H3BF800B	H3BF800C	800A		●	●	●
H3BF900	H3BF900B	H3BF900C	900A		●	●	●
H3BF1000	H3BF1000B	H3BF1000C	1000A		●	●	●
H3BF1100	H3BF1100B	H3BF1100C	1100A		●	●	●

● DENOTES FOR APPROVAL
○ DENOTES FOR PENDING

● 表示已取得安全认证
○ 表示正在申请安全认证

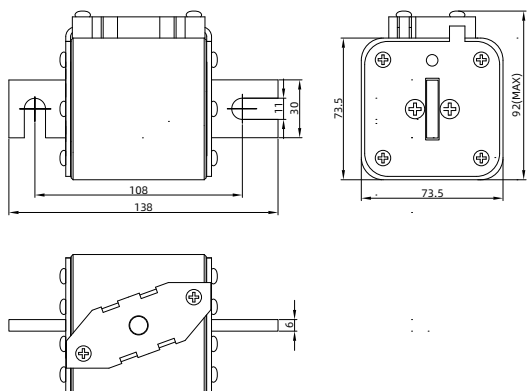
目录编号 PART NO.	可选配件 Optional Accessory
	微动开关 Microswitches
H3BF(amp rating)	HMC-01
H3BF(amp rating)B	HMT-01

Dimensions/ 尺寸:

Unit 单位: mm

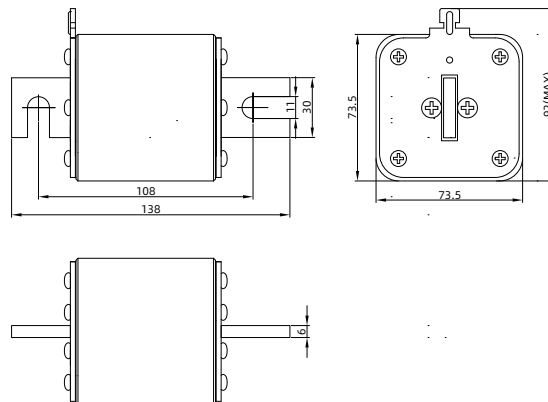
Type:H3BF

Part No.: H3BF(amp rating)



Type:H3BF

Part No.: H3BF(amp rating)B



Type:H3BF

Part No.: H3BF(amp rating)C

